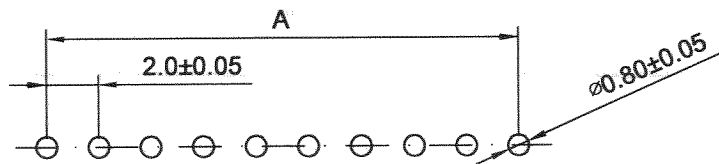
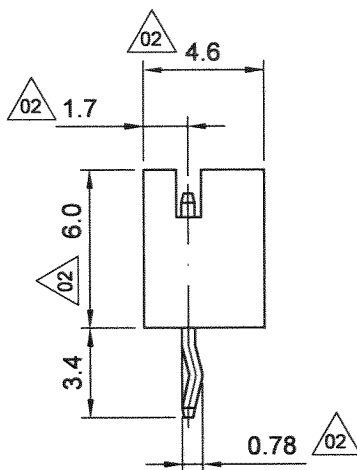
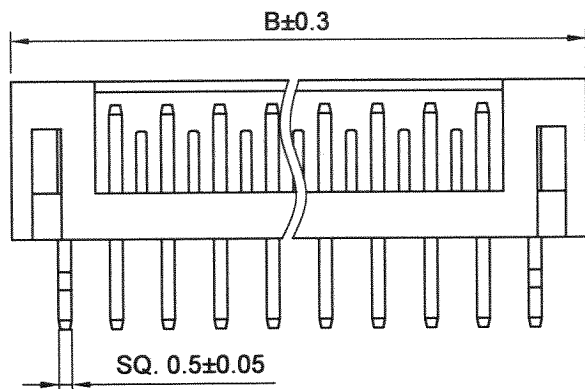
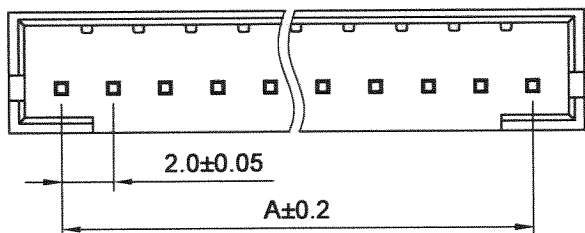
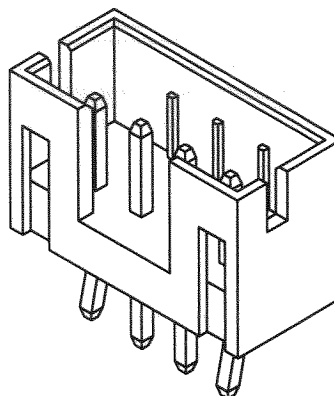


RoHS  
Compliant  
2002/95/EC

| REV. | DESCRIPTION | DATE     | APPR. |
|------|-------------|----------|-------|
| 02   | 修改塑膠        | 98/05/15 | 陳世官   |



P.C. BOARD LAYOUT



SPECIFICATIONS

CURRENT RATING : 2A AC/DC  
 VOLTAGE RATING : 100V AC/DC  
 CONTACT RESISTANCE : 20 mΩ MAX.  
 INSULATION RESISTANCE : 1000 MΩ MIN.  
 WITHSTANDING VOLTAGE : 800V AC/MINUTE  
 TEMPERATURE RANGE : -25°C ~ +85°C  
 PIN MATERIAL : BRASS / TIN PLATED  
 MATERIAL : NYLON 66, UL 94V-0  
 POLES : 2-15  
 APPLICATION P.C.B THICKNESS : 0.8~1.6mm

| PARTS NO.   | DIMENSIONS |       |
|-------------|------------|-------|
|             | A          | B     |
| 200G-WS-02T | 2.00       | 6.00  |
| 200G-WS-03T | 4.00       | 8.00  |
| 200G-WS-04T | 6.00       | 10.00 |
| 200G-WS-05T | 8.00       | 12.00 |
| 200G-WS-06T | 10.00      | 14.00 |
| 200G-WS-07T | 12.00      | 16.00 |
| 200G-WS-08T | 14.00      | 18.00 |
| 200G-WS-09T | 16.00      | 20.00 |
| 200G-WS-10T | 18.00      | 22.00 |
| 200G-WS-11T | 20.00      | 24.00 |
| 200G-WS-12T | 22.00      | 26.00 |
| 200G-WS-13T | 24.00      | 28.00 |
| 200G-WS-14T | 26.00      | 30.00 |
| 200G-WS-15T | 28.00      | 32.00 |

**JAWS** 兆旭股份有限公司  
JAWS CO., LTD.

7F-1, NO.31, Lane 169, Kang Ning Street,  
Hsichih, Taipei Hsien, Taiwan.  
TEL: 886-2-2692-2898  
FAX: 886-2-2692-2618  
Http://www.jaws.com.tw

THIRD ANGLE  
PROJECTION

DESIGN UNITS  
mm □ INCH

TITLE:  
2.0mm WAFER 180° DIP

GENERAL TOLERANCES:

|       |       |
|-------|-------|
| X.X   | ±0.25 |
| X.XX  | ±0.15 |
| X.XXX | ±0.08 |
| ANGLE | ±5°   |

DRAWN

游熾瑩

DATE

98/05/15

SIZE:

A4

SCALE:

FREE

SHEET:

1/1

PARTS NO.:

200G-WS-xxT

DWG NO.:

JAWS-SOP-200G003

REV.

02

CHECK

*Qen*

DATE

98.5.22

APPROVE

陳世官

DATE

98.5.22